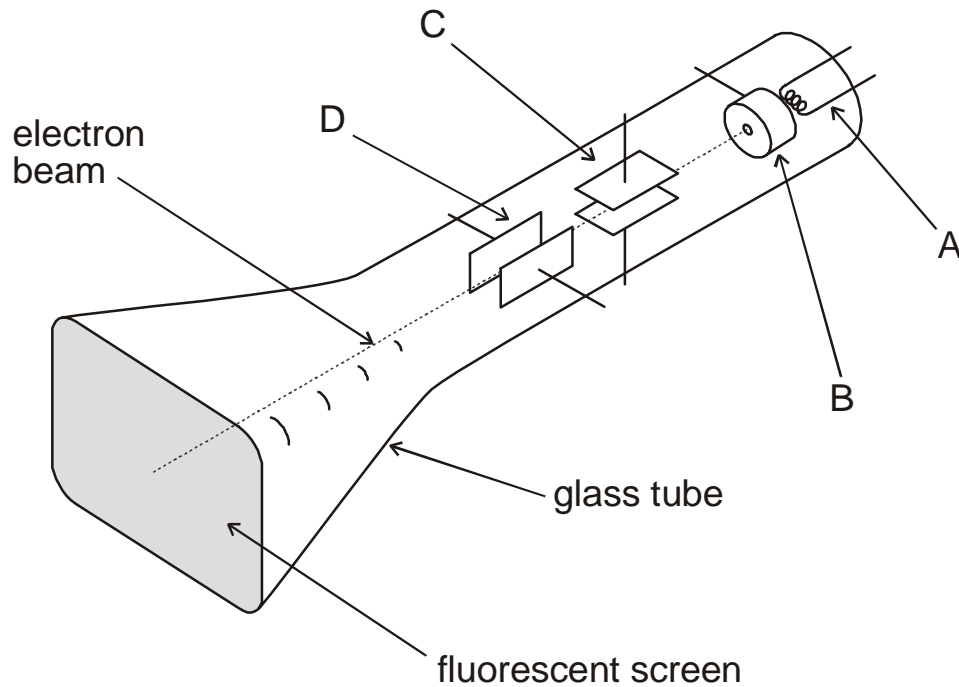


The Cathode Ray Tube

Cathode ray tubes are found in _____ and _____

The diagram below shows the type of c.r.t. found in _____



The tube has *no air* in it.

- A _____
B _____
C _____
D _____

Electrons are emitted by the filament.

A high voltage causes the electrons to accelerate towards the screen.

The material on the screen gives out light when hit by electrons.

The beam of electrons can be deflected by voltages applied to the x and y plates.