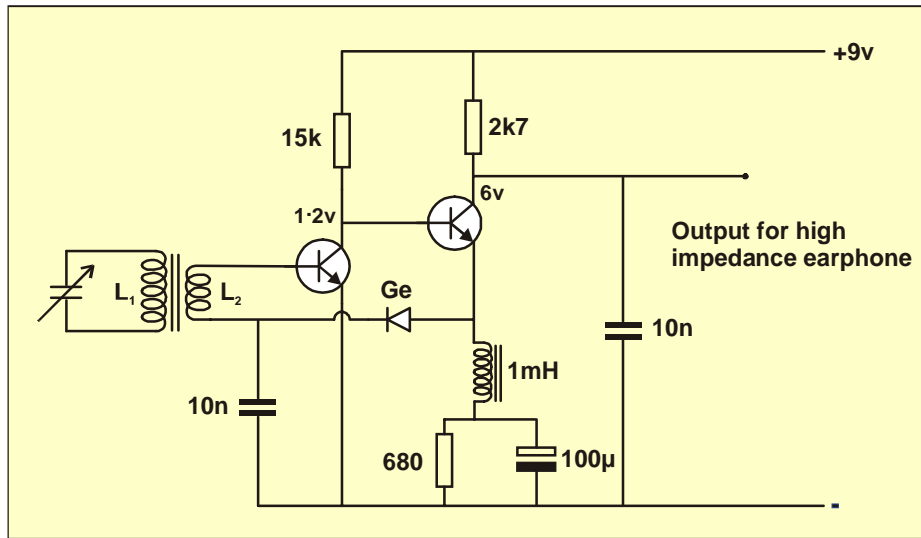


Two Transistor Reflex Radio

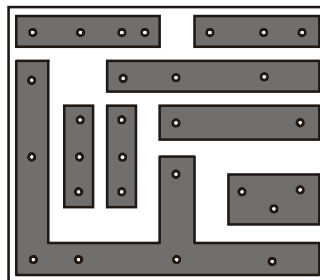


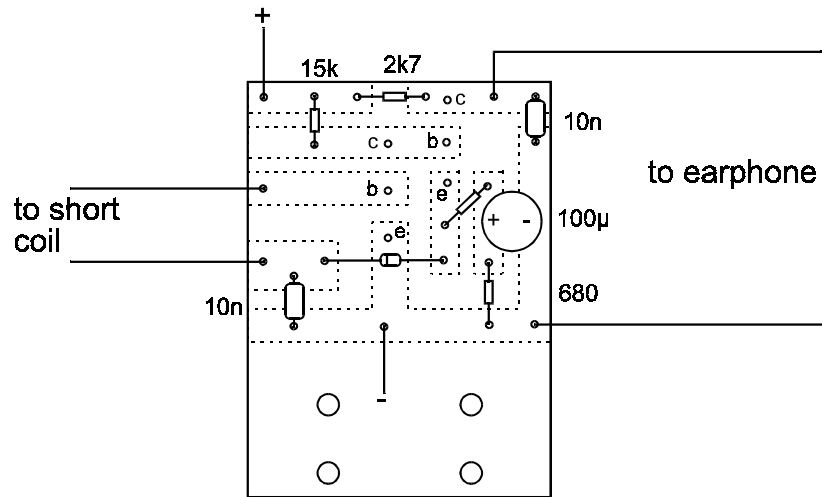
Transistors: BC109C

L_1/L_2 are the antenna coils.

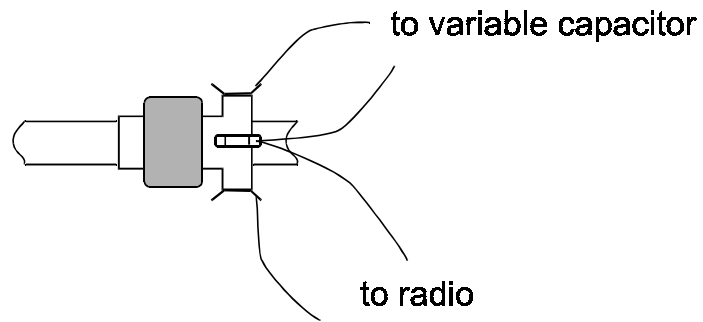
If you can't find a 1mH coil (often called a "choke") you can make one by simply winding about 1 metre of thin wire around a piece of match-stick (or something similar).

N.B. Solder the resistors first, then the capacitors, then the coil, then finally, the diode and transistors. This reduces the risk of damage to transistors and diode through overheating.





Long Wave Antenna Connections



© David Hoult 2001