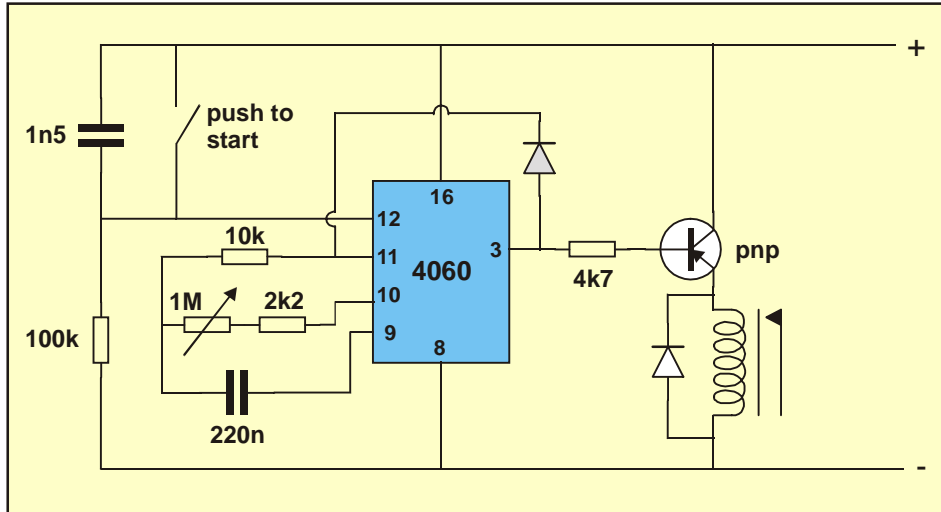


## Long Duration Timer



This circuit can be used with a relay, as shown, or it can be used to drive a triac. If a triac is used an opto-isolator should be used.

With the component values shown, the range of timed periods will be from about 10 seconds to about 1 hour.

