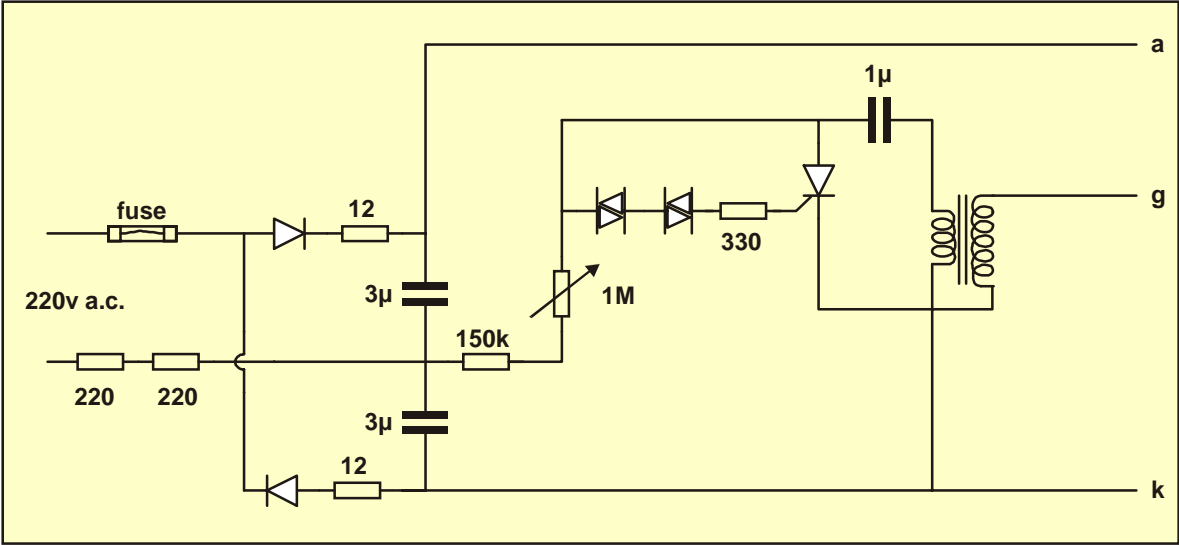
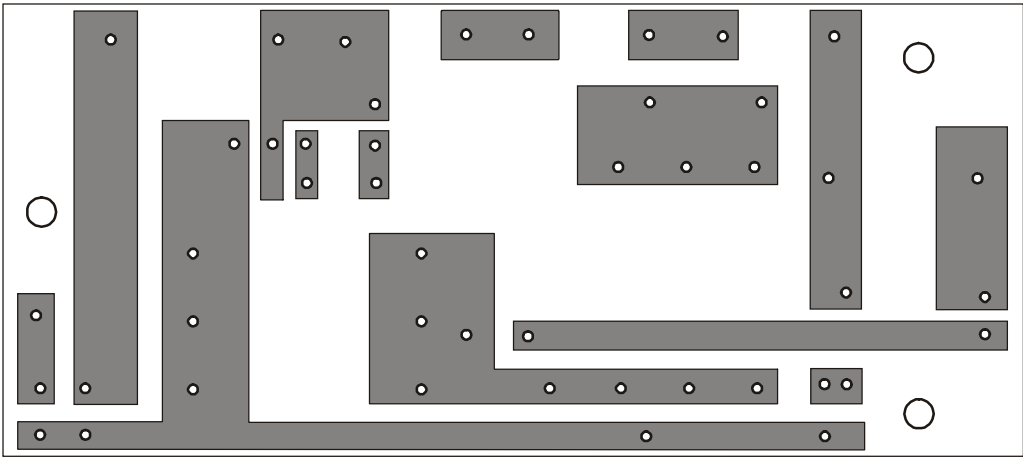
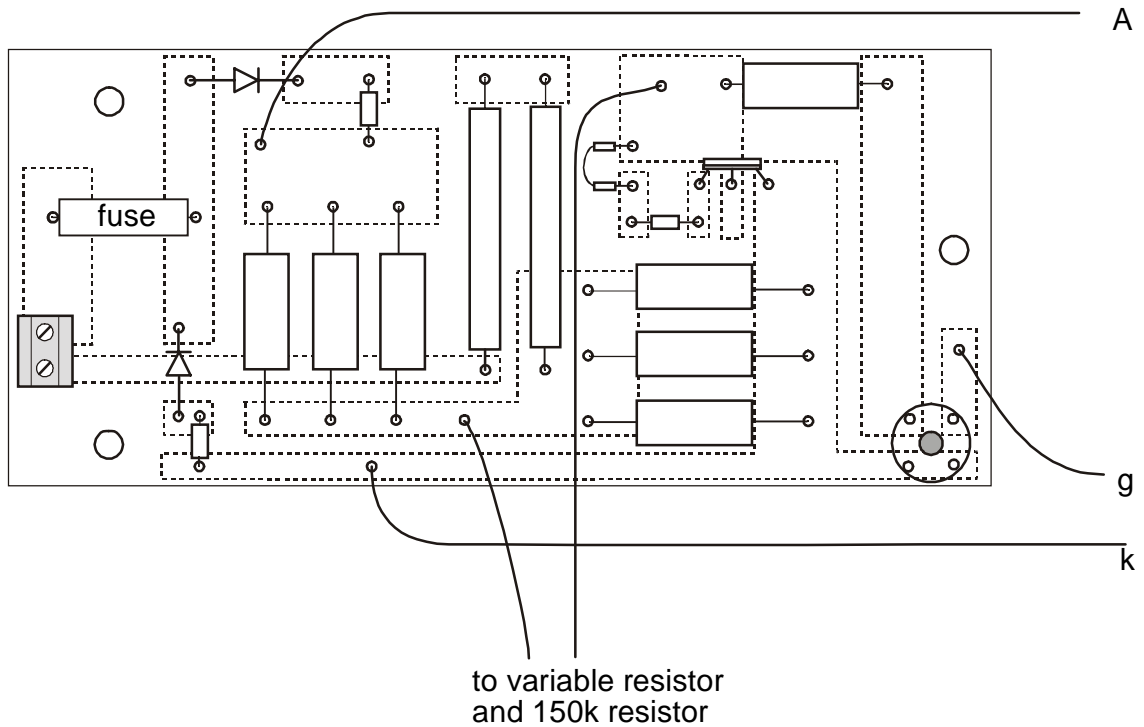


Stroboscope



The 220v supply is rectified and then used to charge the two 3μ* capacitors. The 1μ capacitor also charges (more slowly) through the 150k resistor and 1M variable resistor. When the voltage across the 1μ capacitor is high enough to cause the diacs to conduct, the thyristor is triggered. This produces a high voltage “pulse” at the secondary of the transformer. This pulse causes the tube to conduct and a flash of light is produced.





N.B.

Resistance powers: 220 ohms 10 watts
 12 ohms 1 watt
 150k 1 watt

Capacitor voltages: 3 μ 350v
 1 μ 100v

*For the 3 μ capacitors, use three 1 μ capacitors in parallel (as shown in the diagram above).